



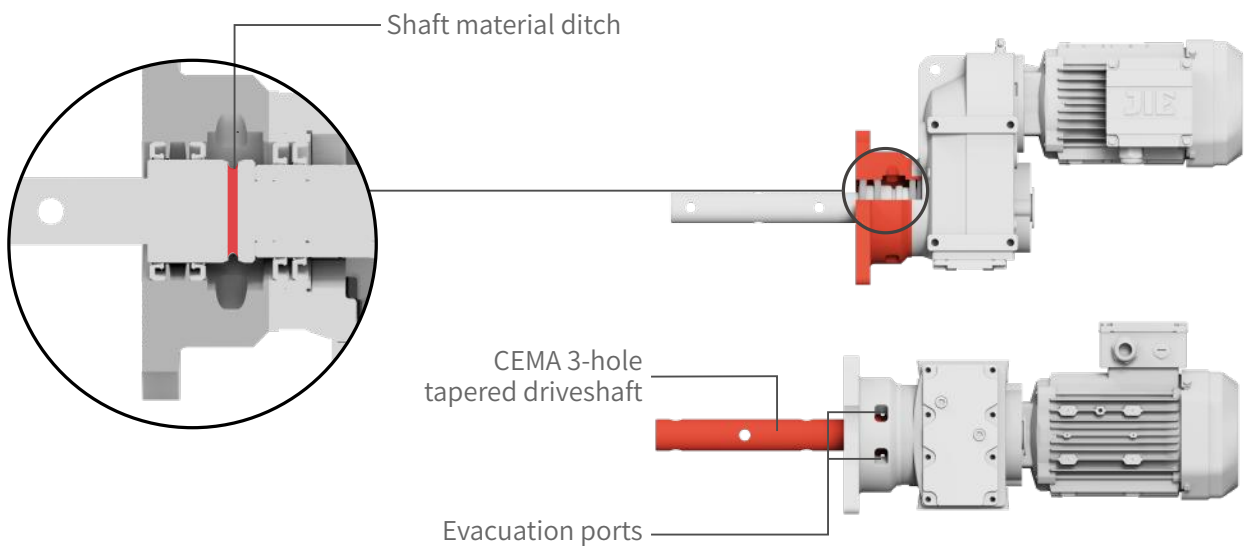
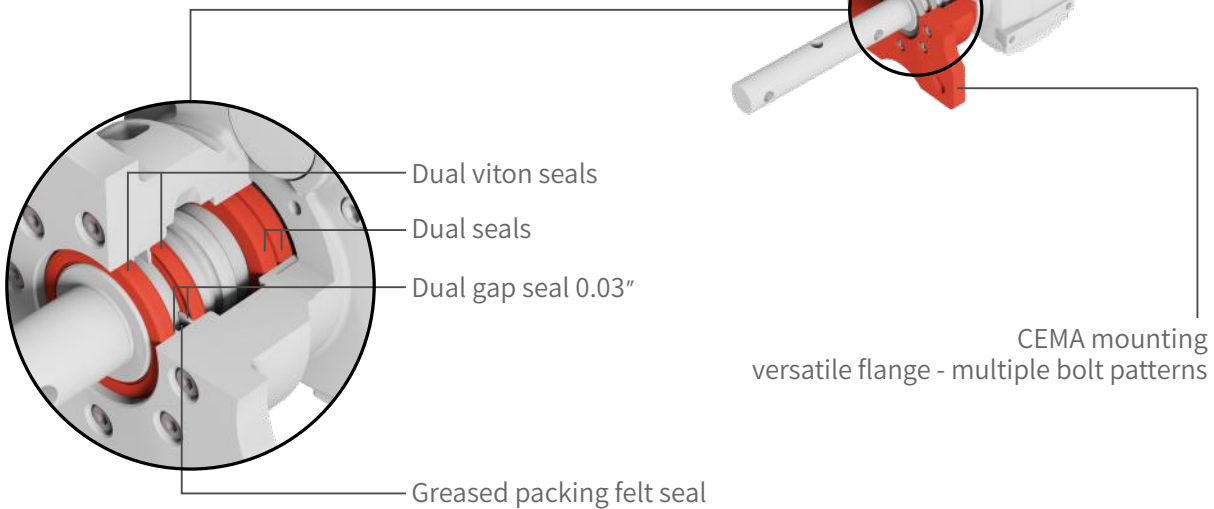
Screw Conveyor Package

JIE Total Drive Solutions Provider

www.jie-drives.com

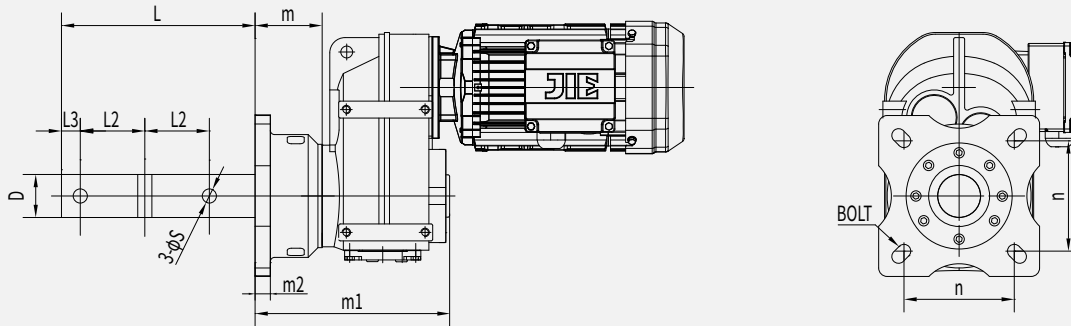
JRTF
Screw Conveyor Package

Size: 39-99 Ratio: 3.77-281.71 Input power: 0.16-50HP Output torque: 31-38142in.lbs



JRTF Gearmotor
Screw Conveyor Package

Dimensions

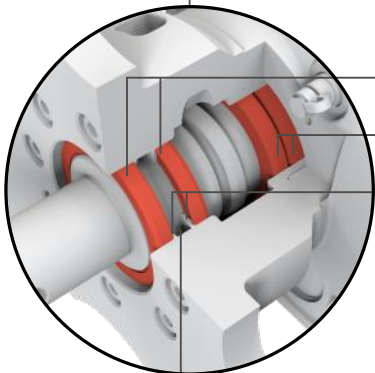
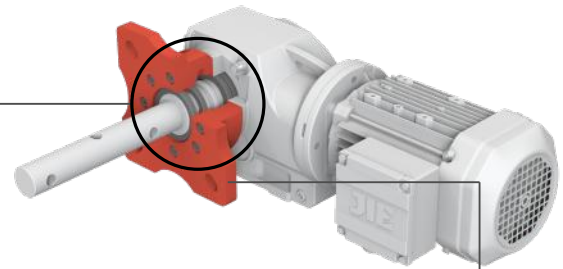


MODE	Output shaft					Gearmotor				
	D	L	L2	L3	S	m	m1	m2	n	BOLT
JRTF 39	1-1/2	9	3	0.875	17/32	2.75	7.57	0.71	4	1/2
	2	9	3	0.875	21/32	3.125	7.945	0.71	5.125	5/8
	2-7/16	9.69	3	0.9375	21/32	3.125	7.945	0.71	5.625	5/8
JRTF 49	1-1/2	9	3	0.875	17/32	2.75	8.73	0.71	4	1/2
	2	9	3	0.875	21/32	3.125	9.11	0.71	5.125	5/8
	2-7/16	9.69	3	0.9375	21/32	3.125	9.11	0.71	5.625	5/8
JRTF 59	1-1/2	9	3	0.875	17/32	2.75	9.40	0.71	4	1/2
	2	9	3	0.875	21/32	3.125	9.78	0.71	5.125	5/8
	2-7/16	9.69	3	0.9375	21/32	3.125	9.78	0.71	5.625	5/8
JRTF 69	1-1/2	9	3	0.875	17/32	2.75	9.95	0.71	4	1/2
	2	9	3	0.875	21/32	3.125	10.33	0.71	5.125	5/8
	2-7/16	9.69	3	0.9375	21/32	3.125	10.33	0.71	5.625	5/8
JRTF 79	3	9.875	3	1	25/32	3.125	10.33	0.71	6	3/4
	2	9	3	0.875	21/32	3.125	11.47	0.71	5.125	5/8
	2-7/16	9.69	3	0.9375	21/32	3.125	11.47	0.71	5.625	5/8
JRTF 89	3	9.875	3	1	25/32	3.125	11.47	0.71	6	3/4
	2	9	3	0.875	21/32	3.125	12.65	0.75	5.125	5/8
	2-7/16	9.69	3	0.9375	21/32	3.375	12.90	0.75	5.625	5/8
JRTF 99	3	9.875	3	1	25/32	3.375	12.90	0.75	6	3/4
	3-7/16	13.125	4	1.25	29/32	3.375	12.90	0.75	6.75	3/4
	3-7/16	13.125	4	1.25	29/32	3.75	15.64	0.75	6.75	3/4

* NEMA, IEC & Solid Input Shaft Adapters Available

JRTK
Screw Conveyor Package

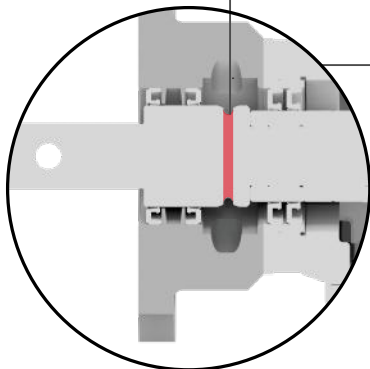
Size: 39-99 Ratio: 3.98-197.37 Input power: 0.16-50HP Output torque: 88-42655in.lbs



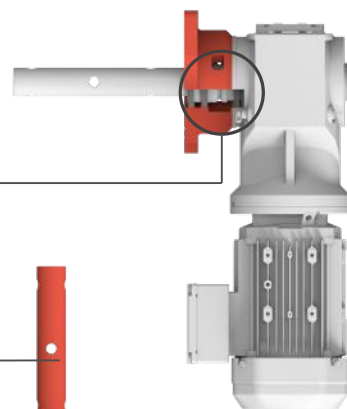
Dual viton seals
Dual seals
Dual gap seal 0.03"

CEMA mounting versatile flange - multiple bolt patterns

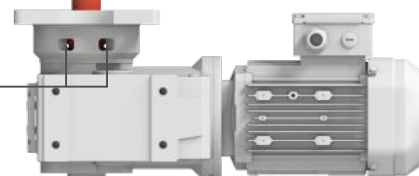
Greased packing felt seal



Shaft material ditch



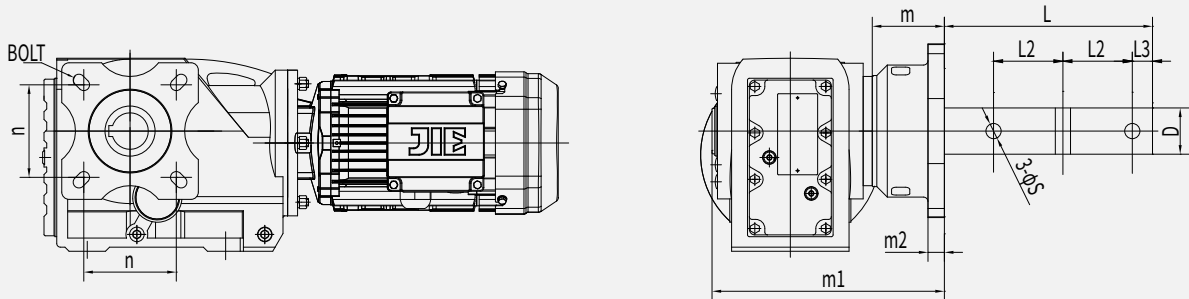
CEMA 3-hole tapered driveshaft



Evacuation ports

JRTK Gearmotor
Screw Conveyor Package

Dimensions



MODE	Output shaft					Gearmotor				
	D	L	L2	L3	S	m	m1	m2	n	BOLT
JRTK39	1-1/2	9	3	0.875	17/32	2.75	7.47	0.71	4	1/2
JRTK49	1-1/2	9	3	0.875	17/32	2.75	8.66	0.71	4	1/2
	2	9	3	0.875	21/32	3.125	9.035	0.71	5.125	5/8
JRTK59	2-7/16	9.69	3	0.9375	21/32	3.125	9.035	0.71	5.625	5/8
	1-1/2	9	3	0.875	17/32	2.75	9.52	0.71	4	1/2
JRTK69	2	9	3	0.875	21/32	3.125	9.895	0.71	5.125	5/8
	2-7/16	9.69	3	0.9375	21/32	3.125	9.895	0.71	5.625	5/8
JRTK79	1-1/2	9	3	0.875	17/32	2.75	9.86	0.71	4	1/2
	2	9	3	0.875	21/32	3.125	10.235	0.71	5.125	5/8
	2-7/16	9.69	3	0.9375	21/32	3.125	10.235	0.71	5.625	5/8
	3	9.87	3	1	25/32	3.125	10.235	0.71	6	3/4
JRTK89	1-1/2	9	3	0.875	17/32	2.75	10.975	0.71	4	1/2
	2	9	3	0.875	21/32	3.125	11.35	0.71	5.125	5/8
	2-7/16	9.69	3	0.9375	21/32	3.125	11.35	0.71	5.625	5/8
	3	9.875	3	1	25/32	3.125	11.35	0.71	6	3/4
JRTK99	2	9	3	0.875	21/32	3.125	12.535	0.75	5.125	5/8
	2-7/16	9.69	3	0.9375	21/32	3.375	12.785	0.75	5.625	5/8
	3	9.875	3	1	25/32	3.375	12.785	0.75	6	3/4
	3-7/16	13.125	4	1.25	29/32	3.375	12.785	0.75	6.75	3/4
JRTK99	3	9.875	3	1	25/32	3.75	15.52	0.75	6	3/4
	3-7/16	13.125	4	1.25	29/32	3.75	15.52	0.75	6.75	3/4

* NEMA, IEC & Solid Input Shaft Adapters Available

JRT GEAR UNITS & GEARMOTORS



JRTR
Helical Inline Gearmotors
Size: 09-189
Ratio: 3.37-289.74
Input power: 0.16-340HP
Output torque: 21-499633 lb-in



JRTF
Parallel Shaft Helical Gearmotors
Size: 29-169
Ratio: 3.77-281.71
Input power: 0.16-340HP
Output torque: 31-328333 lb-in

JRH INDUSTRIAL GEAR UNITS



JRHH
Parallel Shaft Gear Units
Size: 3-28
Ratio: 1.25-450
Input power: 5.85-14306HP
Output torque: 20341-12381600 lb-in



JRHB
Helical Bevel Gear Units
Size: 4-28
Ratio: 5-400
Input power: 3.81-6677HP
Output torque: 48642-12381600 lb-in

JRP PLANETARY GEAR UNITS



JRP
Planetary Gear Units
Size: 9-36
Ratio: 25-4000
Input power: 0.54-17597HP
Output torque: 194568-229994400 lb-in



JRP
Planetary Gear Units
Size: 01-8
Ratio: 3.08-3460
Input power: 0.03-261HP
Output torque: 8844-114972 lb-in

JRW WORM GEAR UNITS



JRSTD
IEC Worm Gear Units
Size: 25-150
Ratio: 5-100
Input power: 0.08-20HP
Output torque: 115-13716 lb-in



JRWND
NEMA Worm Gear Units
Size: 30-150
Ratio: 5-100
Input power: 0.08-20HP
Output torque: 115-13716 lb-in

JD THREE PHASE ASYNCHRONOUS MOTORS



JDC, JCS Servo Motors & Drives
Power: 0.54-10HP
Output Torque: 11-425 lb-in
Input power: 1AC 220V/3AC 380V
Communication: Pulse, EtherCAT, Profinet



JDL
Asynchronous Servo Motor
Torque: 22-1770N.m
Speed: 1200r/min-3000r/min

JC INTELLIGENT DRIVE SOLUTIONS



JC
Intelligent Drive Solutions
 Industrial Drive Solutions incl Reducers, Motors, Converters, Sensors, Internet of Things, etc.



JCMC VFD Gearmotors
Size: 175-255
Power: 1-7HP
Input Power: 3AC 380-440V
Output Frequency: 0-200Hz
Communication: ModbusRTU, Profinet, ASi

MORE OPTIONS



JRES(R, K)
Stainless Steel Helical Gearmotors
Size: 37-67
Ratio: 3.41-199.81
Input power: 0.24-10HP
Output torque: 106-8048 lb-in



JRES
Stainless Steel Worm Gearmotors
Size: 30-90
Ratio: 7.5-100
Input power: 0.08-5.4HP
Output torque: 23-4053 lb-in



JRGC
Transfer Case
Size: 0401, 1501
Ratio: 0.589, 0.659, 0.756, 0.825
Max. Output Torque(Pump): 12303 lb-in
Max. Output Torque(Working Shift) 353760 lb-in



JN
Agricultural Machinery Gear Units
Ratio: 0.364-2.33
Input Speed: 800r/min
Efficiency: ≥96%



JRTK
Helical-Bevel Gearmotors
Size: 39-189
Ratio: 3.98-197.37
Input power: 0.16-272HP
Output torque: 88-555403 lb-in



JRTS
Helical-Worm Gearmotors
Size: 39-99
Ratio: 3.97-288
Input power: 0.16-30HP
Output torque: 88-43336 lb-in



JRTW
Helical Face Gearmotor
Size: 10-30
Ratio: 6.57-75
Input power: 0.12-1.5HP
Output torque: 221-619 lb-in



JRHD
Bucket Elevator Gear Units
Size: 5-16
Ratio: 25-71
Input power: 21.8-1775HP
Output torque: 97284-1530012 lb-in



JRHO
Palm Oil Gear Units
Size: 310
Ratio: 56, 80
Input power: 144, 191HP
Output torque: 663300 lb-in



JRHA
Cooling Tower Gear Units
Size: 166
Ratio: 14
Input power: 310HP
Output torque: 185724 lb-in



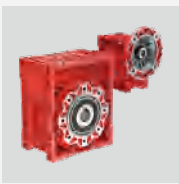
JRPB
Rotary Planetary Gear Units
Size: 08-100
Ratio: 3.4-2000
Input power: 102-340HP
Output torque: 70752-884400 lb-in



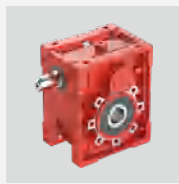
JRP RV
Inline Planetary Gear Units
Ratio: 3-100
Backlash: 1-3/3-5/5-7arc-min
Torque: 53-29185 lb-in



JRP RE
Right Angle Planetary Gear Units
Ratio: 3-100
Backlash: 4-9/6-11arc-min
Torque: 106-16980 lb-in



JRWED
Double Reduction Units
Size: 25/30-63/150
Ratio: 100-5000
Input power: 0.08-2HP
Output torque: 257-23628 lb-in



JRK M, JRKB
Hypoid Gear Units
Size: 28-68
Ratio: 7.5-300
Input power: 0.1-15HP
Output torque: 708-6637 lb-in



WPA
Worm Gears
Size: 40-250
Ratio: 10-60
Input power: 0.16-45HP
Output torque: 168-24292 lb-in



JD-IEC
IEC Standard Motors
Size: 63-315
Power: 0.16-272HP
Efficiency: IE3 IE4 IE5



JD-NEMA
NEMA Standard Motors
Size: 56C-365TC
Power: 0.16-30HP
Efficiency: NEMA Premium



JD-B
Explosion-Proof Motors
Size: 80-315
Power: 0.75-272HP
Explosion-Proof Grade: Exib II BT4
Efficiency: IE3 IE4 IE5



JCI Intelligent Monitoring System
Power: AC220V, DC24V
Communication: Wifi, 4G, RS485
Items: Vibration, Temperature, Pressure, Current
Deployment: Public Cloud, Private Cloud



JCME Distributed VFDS
Size: 175-255
Power: 1-7HP
Input power: 3*AC380-440V
Output Frequency: 0-200Hz
Communication: Profinet, ModbusRTU, ASI



JCF VFDS
Size: 175-355
Power: 1-74HP
Input power: 1*AC220/3*AC400V
Communication: Profinet, EtherCAT, CANOPEN



JRTH, JRTV
Front&Rear Roller Gearboxes
Size: 18-60
Ratio: 3-1800
Input power: 0.13-10HP
Output torque: 14-29136 lb-in



JRSS
Screw Lifters
Size: 35-150
Ratio: 5-40
Input power: 0.26-22HP
Lift Capacity: 1102-57431 lb-in



JRTM
Spiral Bevel Right Angle Units
Size: 2-25
Ratio: 1-5
Input power: 0.019-455HP
Input Speed: 10-1450r/min



JPF
Front&Rear Roller Gearboxes
Size: 1706-2012
Ratio: 3.04-33.568
Input power: 2-4HP
Output torque: 974-2407 lb-in



JEC
Escalator Units
Size: 2-15, 2-25
Ratio: 24.5
Efficiency: ≥96%
Working Life: 146000h
Output torque: 31219-45547 lb-in



JIE Intelligent Drive Solutions Provider
 For more products, please contact JIE.
 (Inch)



JIE JDRIVE

No.1, JIE Road, Hangzhou,
Zhejiang, China
Tel.: +86 571 8299 1111
E-mail: jie@jie.com.cn
Web.: www.jiedrive.com

JIE USA

279 Madsen Drive Ste 101
Bloomington IL 60108
Tel.: +1 630 580 9986
E-mail: info@jie-drives.com
Web.: www.jie-drives.com

JIE CANADA

130 Rue de l'Émissaire Drummondville,
Québec J2E 1S4 Canada
Tel.: +1 819 850 9886
E-mail: info@jie-drives.com
Web.: www.jie-drives.com

JIE EURONORM

Hub van Doorneweg 8, 2171 KZ
Sassenheim, Netherlands
Tel.: +31 252 228 850
E-mail: info@jie-euronorm.com
Web.: www.jie-euronorm.com